

MAGNETIC SLUDGE FILTERS WITH A SEQUENTIAL VORTEX "FILTREO"

FROM 1 TO 220 M³/H

CE compliance
• 2014/68/UE



Main body
made of stainless
steel
AISI 316L



T° maxi
of using
= 110°C

DESCRIPTION

Description

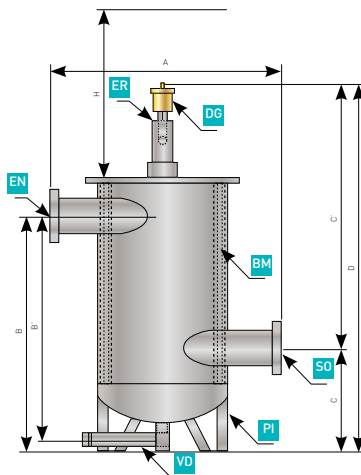
- Cylindrical main body made of stainless steel AISI 316L.
- Stripped and passived weldings.
- Maximum working pressure = 10 bar.
- Test pressure = 14,3 bar.
- Maximum temperature = 110°C.
- Vertical position.
- Support : 3 feet.
- Magnetic package for filtration, removable without drainage.
- Tangential tapping.

Options

- Thermal insulation of filter (Rockwool + isoxal metal sheet) for hot water for heating version only.
- Vapour relief valve (supplied separated).

Warranties (in accordance with our general conditions of sale) : 1 an.

DIMENSIONS



Model	EN / SO	A (mm)	B (mm)	B' (mm)	C (mm)	C' (mm)	D (mm)	E (mm)	H (mm)	Flow rate (m ³ /h)
FMD03	40/49	500	830	793	222	290	512	250	450	1 à 30
FMD06	DN65/ PN16	510	830	793	230	290	520	300	450	30 à 60
FMD10	DN80/ PN16	620	1040	1003	240	470	710	300	650	50 à 100
FMD14	DN100/ PN16	720	1250	1192	300	620	920	355	850	70 à 140
FMD20	DN125/ PN16	830	1290	1223	325	600	925	400	850	100 à 220

BM Magnetic bars

DG Vapour relief valve (optional)

EN Inlet (threaded tapping on 40/49, flat flange PN16 for DN ≥ 65)

ER Blowhole or filling 40/49

PI Support feet

SO Outlet (threaded tapping on 40/49, flat flange PN16 for DN ≥ 65)

VD Threaded drainage 26/34

AVAILABLE MODELS AND PRICES

Reference	Flow rate to process (m ³ /h)
FMD03	1 à 30
FMD06	30 à 60
FMD10	50 à 100
FMD14	70 à 140
FMD20	100 à 220

OPTIONS

Reference	Description
FMCAL	Thermal insulation of filter
PURG	Degasser (supplied separately)